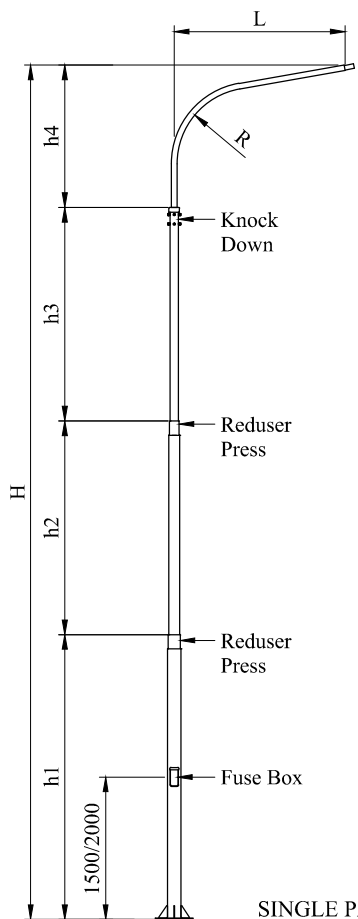
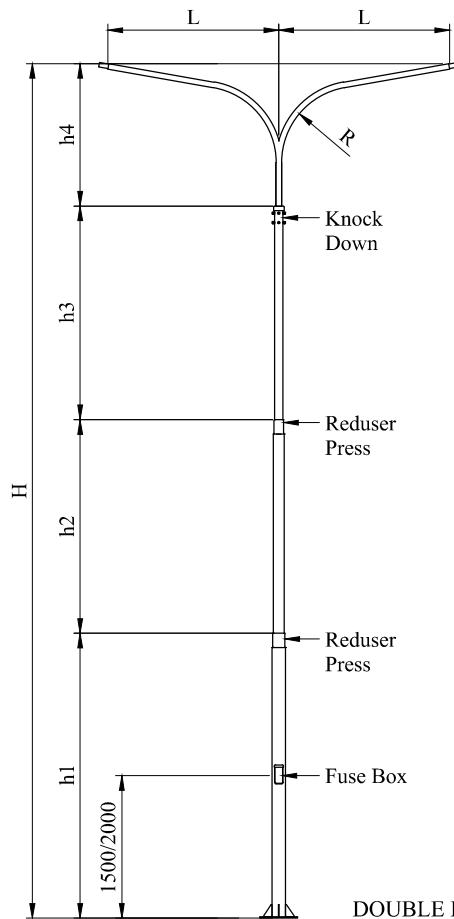


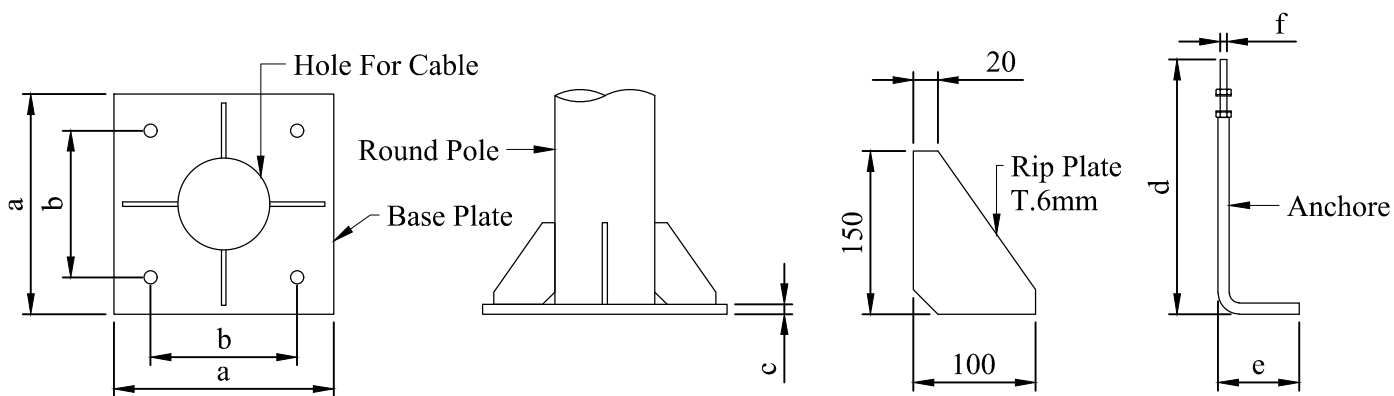
# STANDARD ROUND POLE TYPE PARABOLE



SINGLE PARABOLE



DOUBLE PARABOLE



## SECTION & DIMENTION ROUND POLE TYPE PARABOLE



TYPE	HEIGHT (mm)					R	L	Spesification Pipe (Ø)				Base Plate (mm)			Anchore (mm)		
	H	h1	h2	h3	h4			h1	h2	h3	h4	a	b	c	d	e	f
SP / DP - 6	6000	2000	-	2000	2000	800	1500	Ø4"	-	Ø3"	Ø2"	300	200	12	500	100	16
SP / DP - 7	7000	3000	-	2000	2000			Ø4"	-	Ø3"	Ø2"	300	200	12	500	100	16
SP / DP - 8	8000	3000	2000	1000	2000			Ø5"	Ø4"	Ø3"	Ø2"	300	200	12	500	100	16
SP / DP - 9	9000	3000	2000	2000	2000			Ø5"	Ø4"	Ø3"	Ø2"	300	200	14	500	100	19
SP / DP - 10	10000	3000	3000	2000	2000	1000	2100	Ø5"	Ø4"	Ø3"	Ø2"	300	200	14	500	150	19
SP / DP - 11	11000	3000	3000	3000	2000			Ø5"	Ø4"	Ø3"	Ø2"	400	300	14	500	150	19
SP / DP - 12	12000	4000	3000	3000	2000			Ø6"	Ø5"	Ø4"	Ø2"	400	300	16	600	150	22
SP / DP - 13	13000	4000	4000	3000	2000			Ø6"	Ø5"	Ø4"	Ø2"	400	300	16	600	150	22